

SPECIFICATIONS

Principle Specifications

		HA60C-8B	HA60W-8B
Paving performance	Paving width	2.3~6.0 m infinitely variable	
	Paving thickness	10~300 mm	
	Paving speed	1~20 m/min	
	Hopper capacity	13 ton	
Dimensions	Center crown ratio / Side slope ratio	-1 ~3 (Hyd.) / 0 ~3 %	
	Operating weight (LPG heating)	14730 kg	14990 kg
	Operating weight (Electric heating)	15000 kg	15260 kg
	Overall length	6620 mm	6930 mm
	Overall (transportation) width	2490 mm	2490 mm
	Overall height (with canopy)	2740 (3790) mm	2765 (3790) mm
	Transportation height (with canopy)	2740 (2915) mm	2765 (2915) mm
	Wheel base / Tumbler distance	2615 mm	2700 mm
	Crawler width	284 mm	—
Conveyor system	Tires	— Front 22 x 14 x 16 (solid) Rear 15.5R25	
	Type of driving method	Hydraulic (individual left & right)	
	Width x No. of line	482 mm x 2	
Auger system	Rotating speed	0~15.9 m/min	
	Auger dimensions	330 dia. x 300 pitch mm	
Screed system	Rotating speed	0~82 min ⁻¹	
	Model	J-Paver 2360	
	Heating system	LPG blower burner / Electric (option)	
	Compaction system	Type Vibrator frequency Tamper rotating speed	
Drive system	Height adjustment of extendable screed	Hydraulic	
	Height adjustment of extendable mold board	Hydraulic	
	Type of driving method	Crawler (Track)	Wheel (Tire)
Engine	Drive method	HST	
	Brake type	Automatic brake	Automatic brake
	Traveling speed (Forward / Backward)	0~3 / 0~3 km/h	0~15 / 0~10 km/h
	Make & model	ISUZU 4JJ1X (EU Stage II \square B / EPA Interim Tier 4)	
Engine	Displacement	2999 cc (4CYL.)	
	Rated output	92.2/2200 kW/min ⁻¹ (125.3 hp)	
	Fuel tank capacity	140 L	
Electric system	24 V		

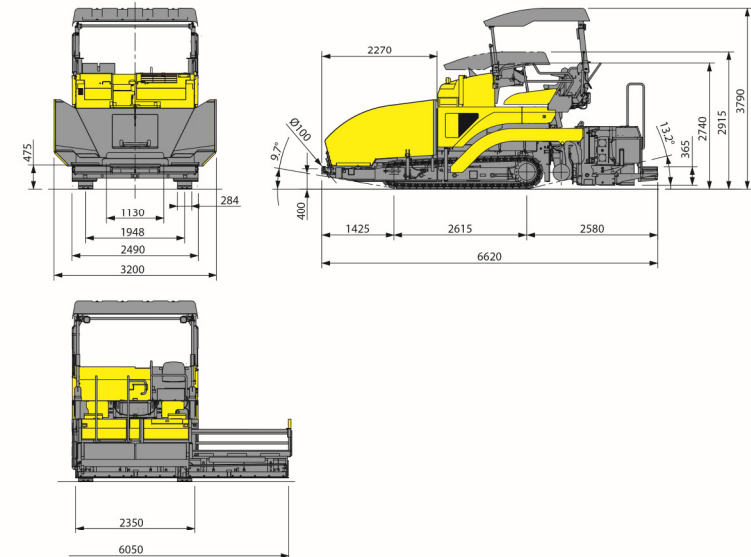
Equipment Items

		HA60C-8B	HA60W-8B
Push roller	Oscillating push roller	○	○
	Hydraulic operated hopper front	○	○
Hopper	Individual operated wings (L&R)	○	○
	Hydraulic height adjustment & reversible auger	○	○
Operator seat	Left & right seat	○	○
	Slide-out seat	○	○
	Deluxe seat (Suspension type)	○	○
Electric	Grade & slope sensor (Contact / Ultrasonic)	●	●
	Material flow controller (Auger rotation control)	●	●
	Front wheel traction control	—	●
	Brake steering	—	●
Hydraulic	Screed anti-climb lock	●	●
	Hydraulic center crown	○	○
	Hydraulic height adjustment of extendable screed	○	○
	Hydraulic height adjustment of extendable mold board	○	○
Screed	Auto. Temp. control for LPG heating	○	○
	Electric heating	●	●
	Electric heating side plate	○	●
Others	Hard top canopy (FRP)	○	○
	Canopy folding and Emergency control by hand pump	○	○
	Auto greasing system	○	○
	AVS (Asphalt fume Ventilation System)	●	●
	Crawler blade	●	—

Sales specifications, accessories and other items may differ depending on country or region. Ask for details during sales negotiations.

Dimensions (mm)

HA60C-8B [Crawler Type] (with optional equipment)



HA60W-8B [Wheel Type] (with optional equipment)

